

# Top Grade Air Powered Spray Gun

Model No.:R 803

## INSTRUCTION MANUAL



### **IMPORTANT:**

Read this Instruction Manual carefully and understand it completely, basic precaution should be strictly followed to prevent the damage to the tool and injury to the operator. Retain this manual for further reference. And you should pay more attention to the Technical Data.

### **NOTICE**

#### **CLEAN IMMEDIATELY**

Clean the Spray Gun  
**IMMEDIATELY** after use.

Delayed or inadequate cleaning will  
permanently clog the Spray Gun.



2018

## QUICK START GUIDE:

- Description
- Technical Data
- Important Safety Instruction
- Instructions for Operation
- Maintenance/Storing
- Troubleshooting/Repairs
- Parts List

### ✂ Description

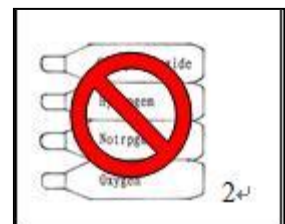
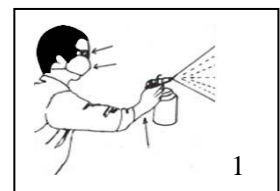
- Aluminum forged gun body with precise machined air cap set.
- Stainless steel needle and nozzle accommodate a variety of coating.
- Even better surface quality for spotless finish.
- Ensure excellent painting results.
- Great for Automobile finish painting

### ✂ Technical Data

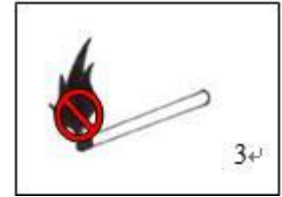
Feed Type:	Gravity
Standard of Nozzle:	Φ1.0mm
Optional Nozzle:	Φ0.8,Φ1.0 mm
Recommended air pressure:	2.0bar
Pattern Width:	130mm
Paint Capacity:	100cc
Air Consumption:	2.8-.4.6cfm
Air Inlet	1/4"

### ✂ Important Safety Instructions

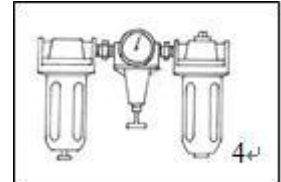
1. For toxic vapors produced by spraying certain materials can create intoxication and serious damage to health. Always wear safety glasses, gloves and respirator to prevent the toxic vapor hazard, solvent and pointing paint coming into contact your eyes or skin. (see fig 1)
2. Never use oxygen, combustible or any other bottle gas as a power source or would cause explosion and serious personal injury. (see fig 2)



3. Fluid and solvent can be highly flammable or combustible. Use in well-ventilated spray booth and avoid any ignition sources, such as smoking, open flames and decrial hazard. (see fig 3)



4. Disconnect tool from air supply hose before doing tool maintenance and during non-operation, for emerge stop and prevention of unintended operation, a ball valve near the gun to air supply is recommend.



5. Use clean, dry and regulate compressed air rated at 2.0bar, never exceed maximum permissive operating pressure (see fig 4)

6. Never use homogenate hydrocarbon solvent, which can chemically react with aluminum and zinc parts and chemically compatible with aluminum and zinc pats.

7. Never point gun at you and others at any time.

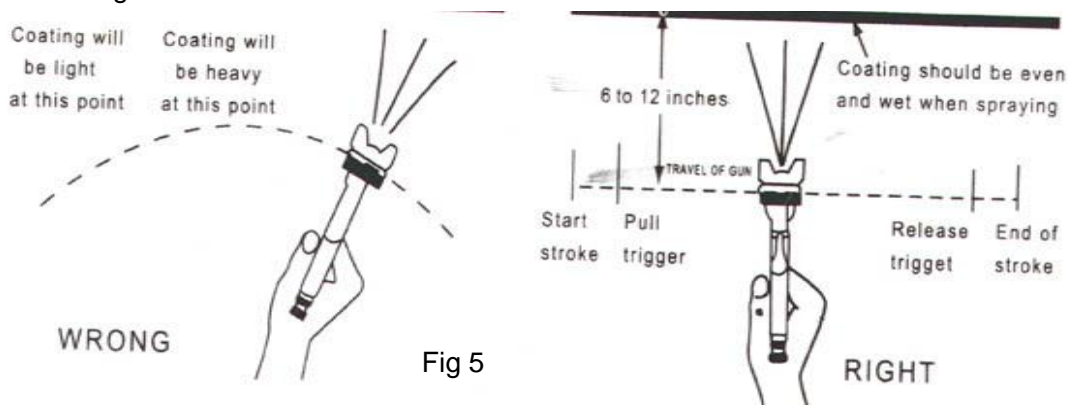
8. Before operating the tool, make sure all the screws & caps are securely tightened in case of leaking;

9. Before painting, make inspection for free movement of trigger and nozzle to insure tool can operate well.

10. Never modify this tool for any applications. Only use parts, nozzles and accessories recommended and accessories recommended by manufactures.

## ❖ Operating Instructions

- This tool applies to operate on clean, dry and compressed air at regulated pressure at 2.0bar. Too low or too high pressure is not allowed.
- Check and replace any damaged or worn parts on the tool, make sure the trigger and nozzle can operate well.
- Connect the gun to air supply, fluid cap, container and air hose should be connected tightly with spray gun.
- When painting, Grip the gun keeping perpendicular with spraying area then move it parallel for several times, the trigger should be locked before the stroke ended. Keep the appropriate distance of 6-8 inches between gun and raying area, according the atomization pressure and work demand. Just like the fig5 show.



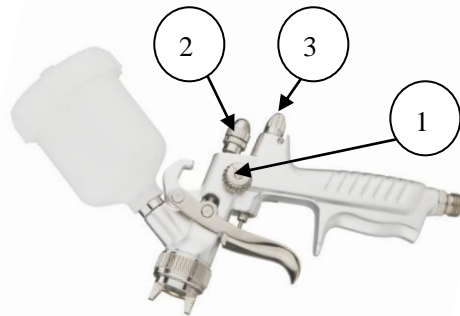
## ※ Adjustment

The desired pattern, volume of fluid output and fine atomization can easily be obtained by regulating the Pattern Adjusting Knob, Fluid Adjusting Knob and Air Adjusting Knob.

① **Adjusting pattern:** Turning Pattern Adjusting Knob to the right until tight will make spray pattern round, or turning it left, will make spray pattern ellipse.

② **Adjusting volume of fluid output:** Turn the Fluid Adjusting Knob, clockwise will reduce the volume of fluid output and counter-clockwise will increase fluid output.

③ **Adjusting air volume:** Turning the Air Adjusting valve clockwise will reduce the air volume. And counter-clockwise will increase the air volume.



## ※ Maintenance

Pour remaining paint into other container and then clean paint passage and air cap. Spray a small amount thinner to clean passage. Incomplete cleaning will cause adverse pattern sharp and particles. Clean other sections with attached brush, soaked with thinner soft clothes.

## ※ Caution

Never use the wire or other hard thing to dig nozzle, fluid needle, this will cause the damage of them. Never immerse spray gun completely in thinner or solvent. When reassembly, always clean parts to prevent the sticking of dust.

## ※ Troubleshooting

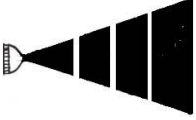

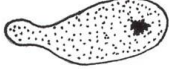
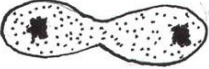

The following chart lists common issues and solutions. Please read it carefully and follow all instructions closely.



### WARNING!

Potential hazard that could result in serious injury or loss of life.

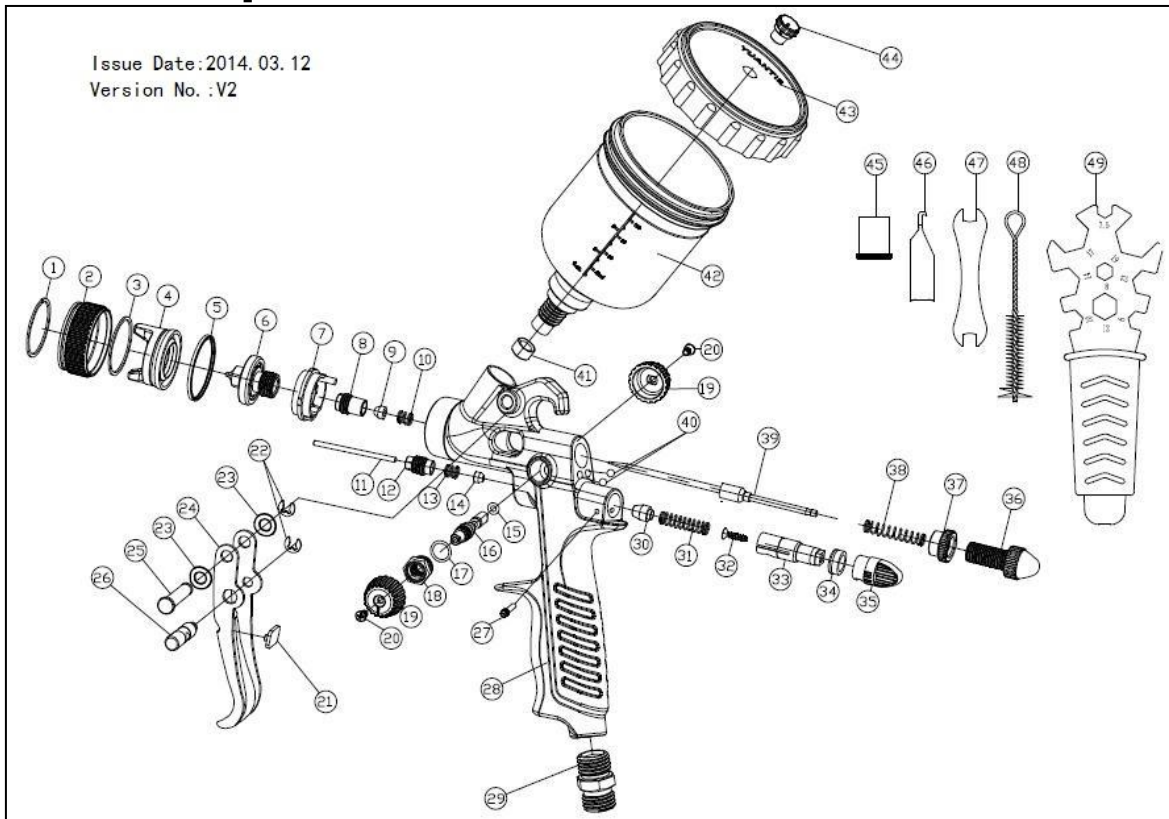
- If any of the following symptoms appear while the tool is in use, turn it off and disconnect it from the air supply immediately. Failure to heed this warning could result in serious personal injury.
- Disconnect the electrical plug and air supply from the tool before making any adjustments.
- Repairs must be performed by a qualified service technician only.

Symptom	Problems	Solution
Fluttering or spitting 	<ol style="list-style-type: none"> <li>1. Material in container is litter.</li> <li>2. Dry or worn Needle packing set.</li> <li>3. Fluid nozzle loose or worn</li> </ol>	<ol style="list-style-type: none"> <li>1. Add material into container.</li> <li>2. Lubricate or replace Needle packing set.</li> <li>3. Tighten or replace Fluid nozzle.</li> </ol>
Pattern is arc. 	<ol style="list-style-type: none"> <li>1. Worn or loose Fluid nozzle.</li> <li>2. Material build up on Air cap.</li> </ol>	<ol style="list-style-type: none"> <li>1. Tighten or replace Fluid nozzle.</li> <li>2. Remove obstructions from holes, but don't use metal objects to clean it.</li> </ol>
Pattern is not Evenly spread. 	<ol style="list-style-type: none"> <li>1. Material build up on Air cap.</li> <li>2. Fluid nozzle dirty or worn.</li> </ol>	<ol style="list-style-type: none"> <li>1. Clean or replace Air cap.</li> <li>2. Clean or replace Fluid nozzle.</li> </ol>
The center of Pattern too narrow. 	<ol style="list-style-type: none"> <li>1. Material too thin or not enough.</li> <li>2. Atomization air pressure too high.</li> </ol>	<ol style="list-style-type: none"> <li>1. Regulate material viscosity.</li> <li>2. Reduce air pressure.</li> </ol>
Pattern width of fan-sharp is not er 	<ol style="list-style-type: none"> <li>1. Material too thick.</li> <li>2. Atomization air pressure too low.</li> </ol>	<ol style="list-style-type: none"> <li>1. Regulate material viscosity.</li> <li>2. Increase air pressure.</li> </ol>
Air leakage from air cap when trigger is not pressed	<ol style="list-style-type: none"> <li>1. Air inlet valve or seat is contaminated.</li> <li>2. Inlet valve stem is stuck.</li> <li>3. Air inlet valve or seat is worn or damaged.</li> <li>4. Air inlet spring is broken.</li> <li>5. Inlet valve stem is bent.</li> </ol>	<ol style="list-style-type: none"> <li>1. Lubricate the inlet valve stem.</li> <li>2. Clean the air inlet valve or seat.</li> <li>3. Replace air inlet valve or seat.</li> <li>4. Replace air inlet spring.</li> <li>5. Replace inlet valve stem.</li> </ol>
Fluid leakage from packing nut	<ol style="list-style-type: none"> <li>1. Packing nut is loose.</li> <li>2. Packing is worn or dry.</li> </ol>	<ol style="list-style-type: none"> <li>1. Tighten, but do not restrict the needle movement.</li> <li>2. Replace or lubricate (non-silicone oil).</li> </ol>
Excessive overspray	<ol style="list-style-type: none"> <li>1. Atomization pressure is too high.</li> <li>2. Work surface is too far.</li> <li>3. Improper stroking (arcing, gun motion are too fast)</li> </ol>	<ol style="list-style-type: none"> <li>1. Reduce the air pressure.</li> <li>2. Adjust to proper distance.</li> <li>3. Move at moderate pace, parallel to work surface.</li> </ol>
No spray	<ol style="list-style-type: none"> <li>1. No pressure in gun.</li> <li>2. Fluid control is not properly opened.</li> <li>3. Fluid is too thick or heavy.</li> </ol>	<ol style="list-style-type: none"> <li>1. Check air lines.</li> <li>2. Open the fluid control.</li> <li>2. Thin the fluid or change to pressure feed system.</li> </ol>

Note: For further repair information, please send to: [rongpeng@rongpeng.com](mailto:rongpeng@rongpeng.com).



# Exploded view & Parts list



No.	Description	Qty.	No.	Description	Qty.	No.	Description	Qty.
1	Retainer Washer	1		Pattern Adj. Set	1	34	Pressure Adj. sealing Ring	1
2	Round nut	1	18	Pattern Adj. washer	1	35	Pressure Adj. Knob	1
3	Retainer Seal ring	1	19	Pattern Adj. Knob	2	36	Fluid Adj. knob	1
4	Atomization body	1	20	Cross recess head screw 2.5*5	2	37	Fluid Adj. Nut	1
5	Retainer Seal ring	1	21	Trigger Washer	1	38	Needle Spring	1
6	nozzle	1	22	Retainer Washer	2		locating bush	1
7	Shunt Ring	1	23	Curved Washer	2	39	Needle	1
8	Direction Screw	1	24	Trigger	1	40	steel ball	2
9	Needle Sealing ring	1	25	Trigger Pin	1	41	Fluid Inlet joint Washer	1
10	Needle Sealing Spring	1	26	Trigger Pusher	1	42	Cup	1
11	Trigger Pole	1	27	Position screw	1	43	Cup Cover	1
12	Trigger Screw	1	28	Gun body	1	44	Cup Choke plug	1
13	Trigger Sealing Spring	1	29	Inlet connector	1	45	Cup connector End cap	1
14	Switch Seal Ring	1	30	Trigger Choke Plug	1	46	Hook	1
15	O-ring 2.5*1.2	1	31	Switch Spring	1	47	Small Wrench	1
16	Pattern Adj. Bolt	1	32	Tapping Screw 2.5*8	1	48	Brush	1
17	O-ring 7*1	1	33	Regulator	1	49	Bull Hex Wrench	1

**Note:** If you need spare parts of this model, pls feel free to contact us or the distributor where you bought this tool. Tks